

DWARVEN FORGE®

# FLOOR FOGGER

## INSTRUCTIONS

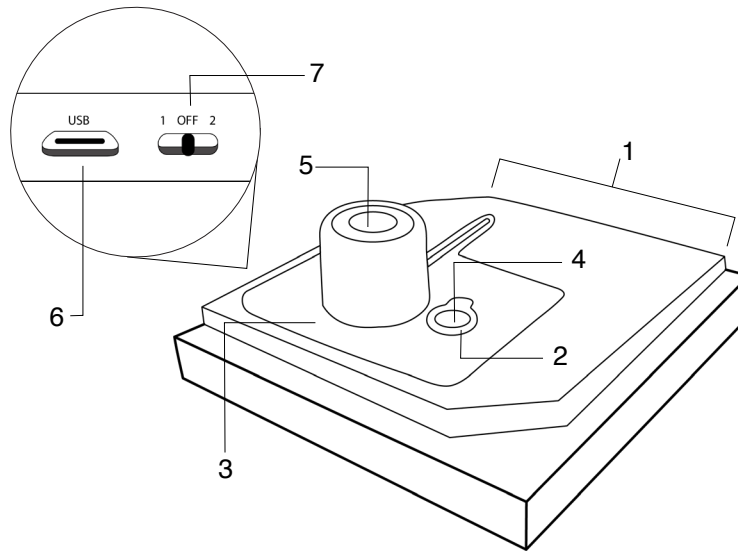


Set contains one (1) DF Floor Fogger, one (1) Reservoir Stopper, one (1) Pouring Funnel, and three (3) AAA Batteries.

Before using your fogger, please follow the basic instructions included. For more in depth details, please visit [shop.dwarvenforge.com/pages/df-floor-fogger](http://shop.dwarvenforge.com/pages/df-floor-fogger)

The DF Floor Fogger is a compact special effects device designed to add atmosphere and drama to your terrain by creating a stream of ionized water vapor.

**Important: Use only distilled, non-carbonated water in your DF Floor Fogger. Tap water or other liquids won't function as well and can damage your fogger.**



### Parts of the DF Floor Fogger

1. Internal Reservoir
2. Stopper
3. Condensation Collection Trough
4. Reservoir Refill Hole (Funnel Included)
5. Vapor Emitter
6. USB Power Port
7. Off/On (Continuous Mode/Interval Mode)

### TO OPERATE:

1. Ensure that your fogger has working batteries or is connected to a USB power source.



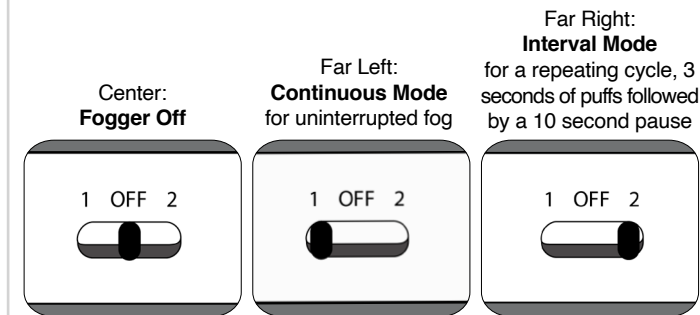
**Battery Life:** If you are using batteries, they will last much longer in Interval Mode (about 10 hours) than in Continuous Mode (about 2 hours). When convenient, use USB power.

2. Fill your fogger's water tank with distilled water. **Do not overfill (70ml/2.4 oz. capacity).**



**Water Supply:** A full tank of water will last about 90 minutes in Continuous Mode, or 120 minutes in Interval Mode.

3. Use the switch to turn your fogger on/off, as follows:



**Condensation:** Some of the ionized water may condense and collect around the base of the fogger, especially in Continuous Mode. Most of this water will collect in the trough and drain back into the water tank. Please use a small towel to keep the area around the fogger dry.

To learn more about Floor Fogger condensation, replacing the batteries, how to use Dwarven Forge pieces with the DF Floor Fogger, and other tips and tricks, please visit [shop.dwarvenforge.com/pages/df-floor-fogger](http://shop.dwarvenforge.com/pages/df-floor-fogger)